

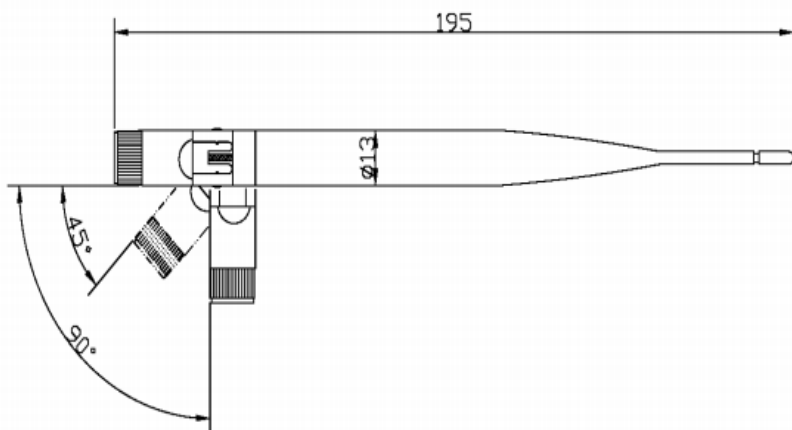


## 2.4G DIPOLE 5DBI ANTENNA FOR SMA MALE REVERSE POLARITY

Part Number: LM252

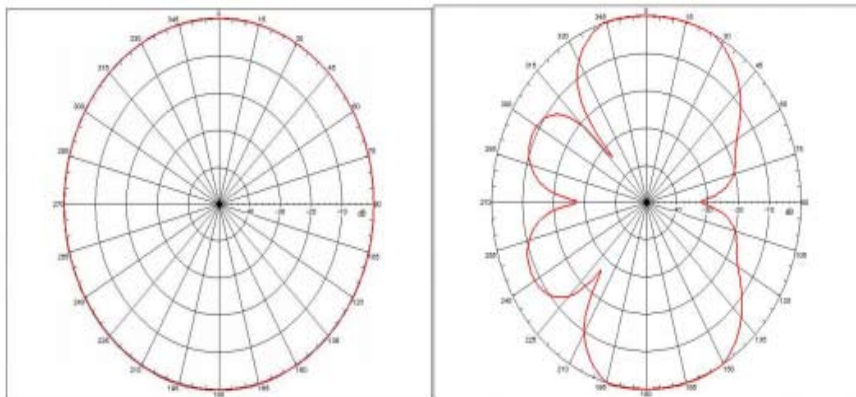


Type: Dipole  
 Frequency: 2400~2500MHz  
 Gain: 5Dbi  
 Polarization: Linear Vertical  
 SWR:  $\leq 1.5:1$   
 Impedance: 50  $\Omega$   
 Base  
 Connector: SMA Male Reverse Polarity  
 Weight: 30g  
 Size: H 200mm x W 13.7mm x D 13.7mm  
 Certification: RoHS



H-PLANE

E-PLANE



### Contact



**Birmingham Office**

LM Technologies Ltd  
 Unit 10 Caroline Point  
 62 Caroline Street  
 Birmingham  
 B3 1UF, UK.

Tel : 0121 200 1375  
 Fax: 0870 112 7636

**London Office**

LM Technologies Ltd  
 Unit 19 Spectrum House  
 32-34 Gordon House Road  
 London  
 NW5 1LP, UK.

Tel : 0207 428 2647  
 Fax: 0870 112 7636



## 2.4G DIPOLE 5DBI ANTENNA FOR SMA MALE REVERSE POLARITY

Part Number: LM252

